

Advanced Performance & Protection

Swing-activated safety solutions from Bradley. Now featuring proven ceramic disc technology for superior quality and performance.

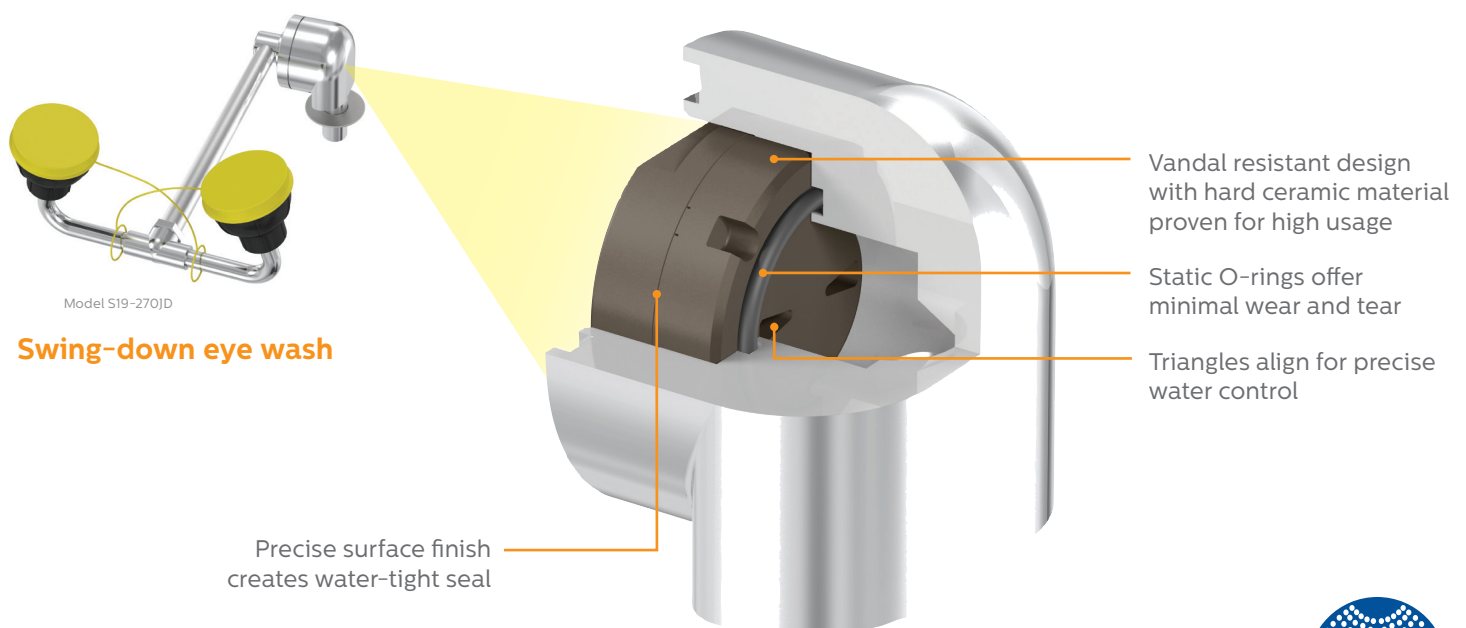


Eye and eye/face wash solutions redesigned with a new ceramic valve.

- Extremely durable for reliable performance
- Built to last for a lifetime of activations
- Precise water control
 - 20° activation and deactivation reduces splashing

Re-engineered for maximum performance

Water is controlled between two rotating ceramic discs, which fit closely together for a water-tight seal. The corrosion resistant discs provide a superior wear resistant surface for repeated valve activation.



BRADLEYCORP.COM



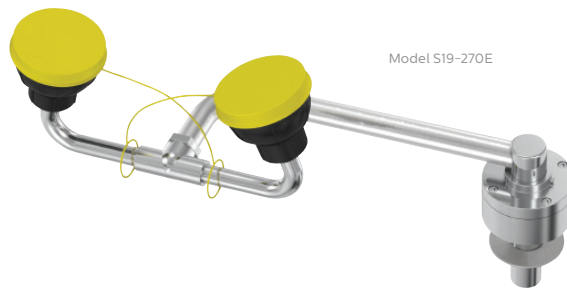
High performance swing-activated safety solutions you can depend on



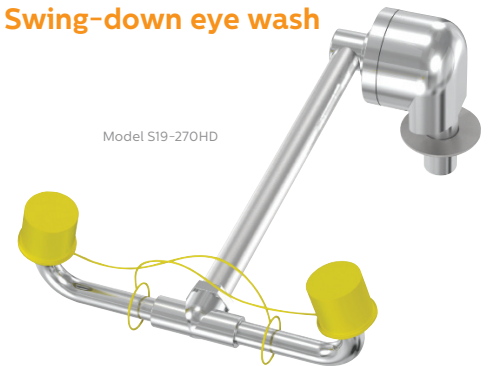
Swing-activated eye and eye/face wash solutions

- **NEW** ceramic disc technology
- Chrome plated brass pipe and fittings
- Complies with ANSI Z358.1
- Barrier-free models available
- Easy reversible right-to-left side-swing installation
- Ideal for laboratory applications

Side-swing eye/face wash



Swing-down eye wash



Now available with Halo™ eye/face wash protection



Cabinet mounted eye/face wash

	Classic Models	Halo Models
Deck-Mount Side-Swing	✓	✓
Deck-Mount Swing-Down	✓	✓
Wall-Mount Swing-Down	✓	✓
Recessed Cabinet Mount		✓
Recessed Concealed Cabinet Mount		✓



Model S19284

Halo offers a superior wash pattern for the most effective contaminant relief available.

- Industry best 85% eye/face wash coverage
- Hinged dust covers
- Compact eye wash design



Model S19274C

+1 262 251 6000
 800 BRADLEY bradleycorp.com
 W142 N9101 Fountain Boulevard
 Menomonee Falls, WI 53051

